

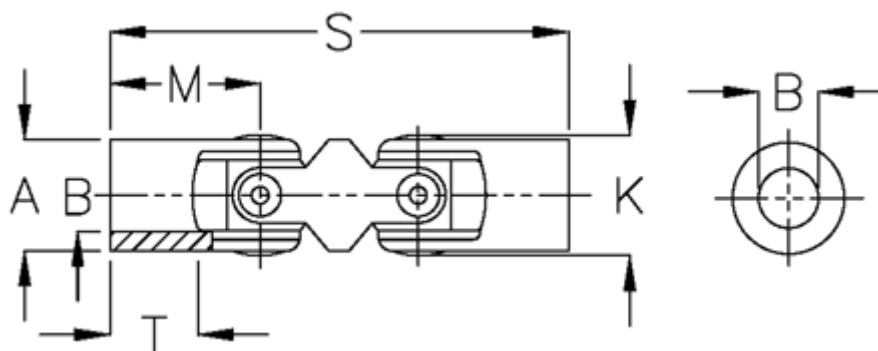
# Data Sheet



Article number: 07716300

Description: Double cross joint w/slide bearing  
0.716.300

## Measures



A	= 16
B H7	= 10
K	= 17.5
M	= 26
MD max N m	= 8
s	= 74
T	= 15